

6.5" 2-Way Outdoor Wall Mount Speaker ET-640TP

Feature:

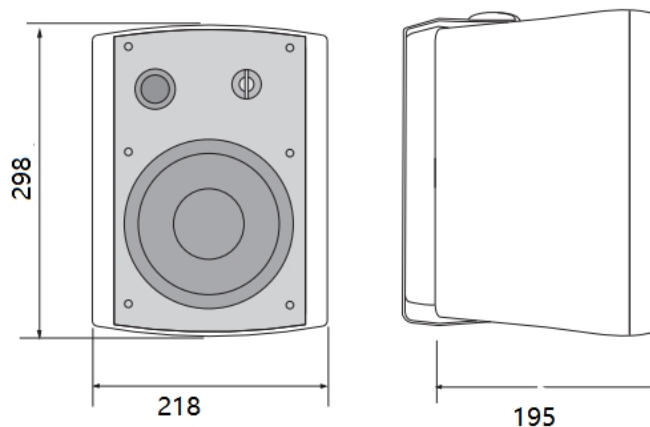
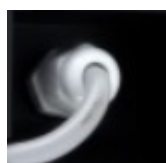
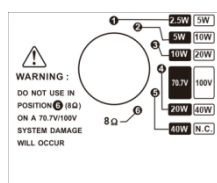
- Commercial public address speaker with transformer
- Ideal for outdoor BGM and paging system
- IP66 waterproof finish for all extreme weather applications
- Power output 40-20-10-5W & 8Ω
- 6.5" weatherproof woofer and 1" silk tweeter 2-way speaker system
- ABS enclosure, aluminum grille & stainless mounting bracket in black
- Waterproof cable gland secure wiring is protected for outdoor
- **ET-640TP as option of white color**



Specification:

Model	ET-640TP
Description	Outdoor Wall Mount Speaker
Rated Power Output	40W
Power Taps	40-20-10-5W & 8Ω
Line Input	100V or 70V & 8Ω
Frequency Response	100-20KHz
SPL(@1W/m)	90±3dB
IP Rate	IP66
Speaker Unit	6.5" weatherproof woofer and 1" silk tweeter 2-way speaker system
Dimension	298×218×195mm
Material	ABS enclosure, aluminum grille & stainless mounting bracket in black
Mounting Way	Quick installation by supplied stainless mounting bracket
Net Weight	3.5kg

Side View & Dimension:



Impedance VS SPL Diagrams:

